



A Series[®] Lighting Control Panel boards



WARNING: Danger of electrical shock or injury. Turn OFF power service to the line side of the panel board or switchboard before working inside the equipment or removing any component. Equipment is to be installed and maintained by properly trained and qualified personnel only.

Use for Mounting 1,2 & 3 Pole TEY breakers

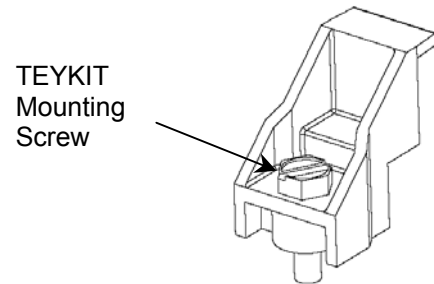
Catalog No.	Qty.	Description
TEYKIT	10	TEY Breaker Mounting kit

Installation Instructions:

1. Select the TEY breaker position to be panel mounted.
2. Insert TEYKIT in to position shown in Fig1 and tighten mounting screw in to the holes provided in the Panel plastic mounting base.
3. Screw TEYKIT into the one for each pole & torque to 10 Lb-inch.

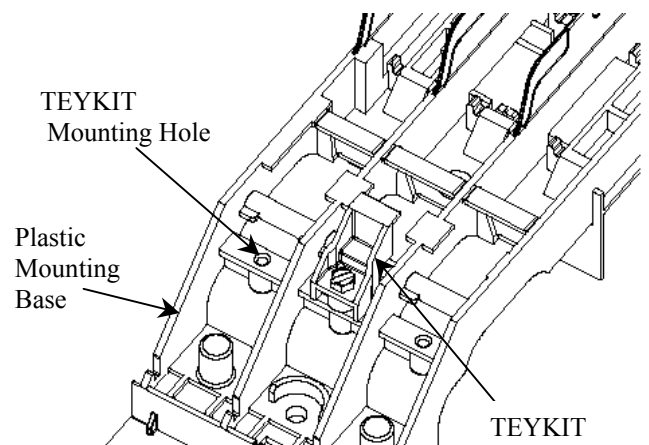
Note: For 3 pole TEY Breaker use 3 mounting kits
 For 2 Pole TEY Breaker use 2 mounting kits
 For 1 Pole TEY Breaker use 1 mounting kits

4. Mount TEY breaker and drive line strap screw into Bus bar strap and torque it to 35 lb-inch (Refer to Fig 2).



TEYKIT
Mounting
Screw

TEYKIT

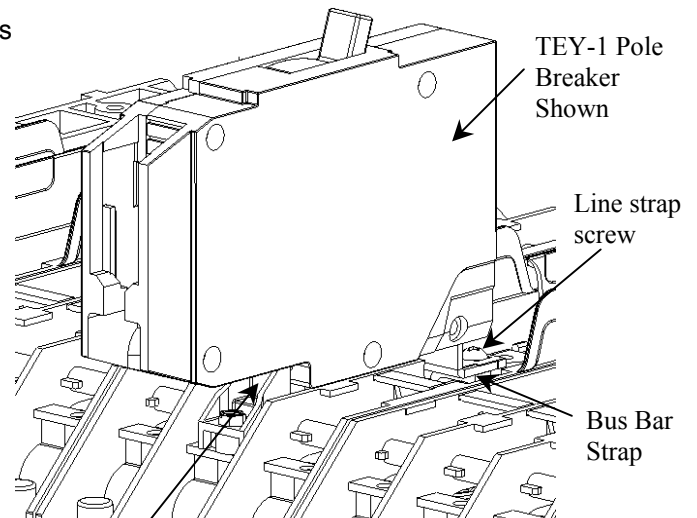


TEYKIT
Mounting Hole

Plastic
Mounting
Base

TEYKIT
Shown
Installed

FIG 1



TEY-1 Pole
Breaker
Shown

Line strap
screw

Bus Bar
Strap

TEYKIT
Shown
Installed

FIG 2