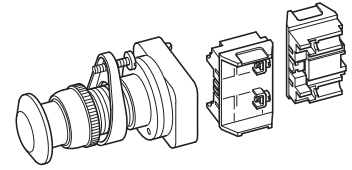


Hazardous Location Push Buttons

Product Selection

2-Position Push-Pull Units, Non-Illuminated

800 H - FPX 1 A1
 a b c d e



a

Barrel Type	
Code	Description
H	Standard barrel length
HL	Long barrel



d

Color Cap	
Code	Color
Blank	No cap
1	Green
2	Black
4	Grey (silver)
6	Red
7	Blue
9	Yellow (gold)

b

Operator Type	
Code	Description
FPX	Push-pull unit

e

Contact Block(s)			
Standard			
Code	Operator Position		Description
	 Out	 In	
Blank	—	—	No contacts
A1	O X	X O	1 N.O. - 1 N.C.L.B.*
A5	X X	O O	2 N.C.L.B.*
D1	O	X	1 N.O.
D4	X	O	1 N.C.L.B.*
PenTUFF (Low Voltage)			
D1V	O	X	1 N.O.
AV	O X	X O	1 N.O. - 1 N.C.

Note: X = Closed/O = Open.

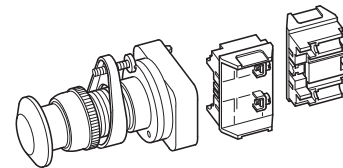
c

Head Type	
Code	Description
Blank	Mushroom head
J	Jumbo mushroom head*

* Normally closed late break contact. When button is pushed from the OUT to the IN position, the mechanical detent action of the operator occurs before electrical contacts change state. When the button is pulled from the IN to the OUT position, the electrical contacts change state before the mechanical detent occurs.

3-Position Push-Pull Units, Non-Illuminated




800 H - FPX M 1 A7
 a b c d e f



a

Barrel Type	
Code	Description
H	Standard barrel length
HL	Long barrel




d

Code	Operator Function		
	Operator Position		
	 Out	 Center	 In
M	Momentary	Maintained	Maintained
N	Momentary	Maintained	Momentary

b

Operator Type	
Code	Description
FPX	Push-pull unit

f

Contact Block(s)				
Standard				
Code	Operator Position			Description
	 Out	 Ctr.	 In	
Blank	—	—	—	No contacts
A	O X	O O	X O	1 N.O. - 1 N.C.
A1	O X	O X	X O	1 N.O. - 1 N.C.L.B.
A7	X X	O X	O O	1 N.C. - 1 N.C.L.B.
B6	X X	O X	O O	2 N.C. - 2 N.C.L.B.
PenTUFF (Low Voltage)				
AV	O X	O O	X O	1 N.O. - 1 N.C.

Note: X = Closed/O = Open.

c

Head Type	
Code	Description
Blank	Mushroom head
J	Jumbo mushroom head*

e

Color Cap	
Code	Color
Blank	No cap
1	Green
2	Black
4	Grey (silver)
6	Red
7	Blue
9	Yellow (gold)

* Not valid with color cap option **Blank** (no cap).



Specifications*

Electrical Ratings	
Contact Ratings	Refer to the contact ratings tables below.
Dielectric Strength	2200V for one minute, 1300V for one minute (Logic Reed)
Electrical Design Life Cycles	1 000 000 at max. rated load, 200 000 at max. rated load (Logic Reed)
Mechanical Ratings	
Vibration	10...2000 Hz 1.52 mm displacement (peak-to-peak) Max./10 G Max. (except Logic Reed)
Shock	1/2 cycle sine wave for 11 ms ≥ 25 G (contact fragility) and no damage at 100 G
Degree of Protection	Type 7 & 9 Explosion Proof (Type 3 and Type 4 ratings available with accessories)
Mechanical Design Life Cycles	
Push Buttons	250 000 minimum
Potentiometers	100 000 minimum
All other devices	200 000 minimum
Contact Operation	Shallow and mini contact blocks: slow double make and break Logic Reed & sealed switch contact blocks: snap-action
Wire Gauge/Terminal Screw Torque	# 18...12 AWG/6...8 lb•in
Typical Operating Forces	
Operators without contact blocks:	Flush, extended, standard mushroom, jumbo mushroom: 2.9 lb max. Jumbo and extended aluminum mushroom head: 3.95 lb maximum Maintained selector switch: 4.0 in•lb maximum
Spring Return Selector Switches:	5 in•lb to stop, 0.2 in•lb to return
Illuminated Push Buttons and Push-to-Test Pilot Lights	5.6 lb maximum
2-Position Push-Pull	9 lb maximum push or pull
3-Position Push-Pull	12 lb maximum push to in position or pull to center position (15 lb maximum pull to out position)
Contact Blocks:	
800T-XA	1 lb
Logic Reed	1 lb maximum
Sealed Switch	3 lb maximum at 0.205 in. plunger travel
Stackable Sealed Switch	1 lb maximum
Environment	
Temperature Range	Operating: -4...+13 °F (-20...+55 °C) Storage: -40...+185 °F (-40...+85 °C)
Note: Operating temperatures below freezing are based on the absence of freezing moisture and liquids.	
Humidity	50% at +104 °F (+40 °C)

* Performance Data — See page Important-3.

* External thread major diameter: 1.034 in. max., 1.024 in. min. Internal thread minor diameter: 0.958 in. min., 0.970 in. max.

Standard Contact Ratings

Maximum thermal continuous current I_{th} 10 A AC/2.5 A DC.
 Bulletin 800H Type 7 & 9 units with 800T-XA contacts have ratings as follows:

Max. Oprtnl. Volts U_e	Utilization Category		Rated Operational Currents		
	IEC	NEMA	Volts U_e	Make	Break
AC 600	AC-15	A600	120...600	7200VA	720VA
			72...120	60 A	720VA
			24...28*	60 A	10 A
DC 600	DC-13	Q600	28...600	69VA	
			24...28*	2.5 A	

* For applications below 24V and 24 mA, PenTUFF™, Logic Reed or stackable sealed switch contacts are recommended.

Sealed Switch Contact Ratings

Maximum continuous current I_{th} 5 A.

Max. Oprtnl. Volts U_e	Utilization Category		Rated Operational Currents		
	IEC	NEMA	Volts U_e	Make	Break
AC 600	AC-15	B600	120...600	3600VA	360VA
			0...120	30 A	3 A
DC 300	DC-13	P300	24...300	138VA	
			0...24	5.0 A	

Stackable Sealed Switch Contact Ratings

Maximum continuous current I_{th} 3 A. Bulletin 800T units have control circuit ratings with sealed switch contact blocks as follows:

Max. Oprtnl. Volts U_e	Utilization Category		Rated Operational Currents		
	IEC	NEMA	Volts U_e	Make	Break
AC 300	AC-15	C300	120...300	1800VA	180VA
			0...120	15 A	1.5 A
DC 150	DC-13	Q150	24...150	69VA	
			0...24	2.5 A	

Logic Reed Contact Ratings

Maximum: 150V AC, 0.15 A, 8 VA and 30V DC, 0.06 A, 1.8 VA.

Should only be used with resistive loads.

PenTUFF™ (Low Voltage) Contact Ratings

Minimum DC: 5V, 1 mA

Maximum thermal continuous current I_{th} 2.5 A AC/1.0 A DC.

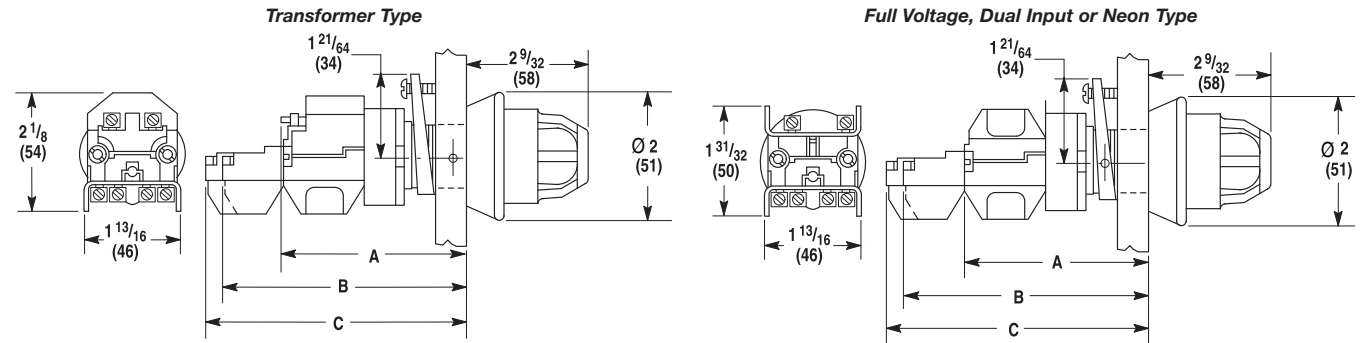
Bulletin 800H units with 800T-XAV contacts have ratings as follows:

Max. Oprtnl. Volts U_e	Utilization Category		Rated Operational Currents		
	IEC	NEMA	Volts U_e	Make	Break
AC 300	AC-15	C300	120...300	1800VA	180VA
			0...120	15 A	1.5 A
DC 150	DC-13	R150	24...150	28VA	
			0...24	1.0 A	

Approximate Dimensions and Shipping Weights, Continued

Dimensions in inches (millimeters). Dimensions are not intended to be used for manufacturing purposes.

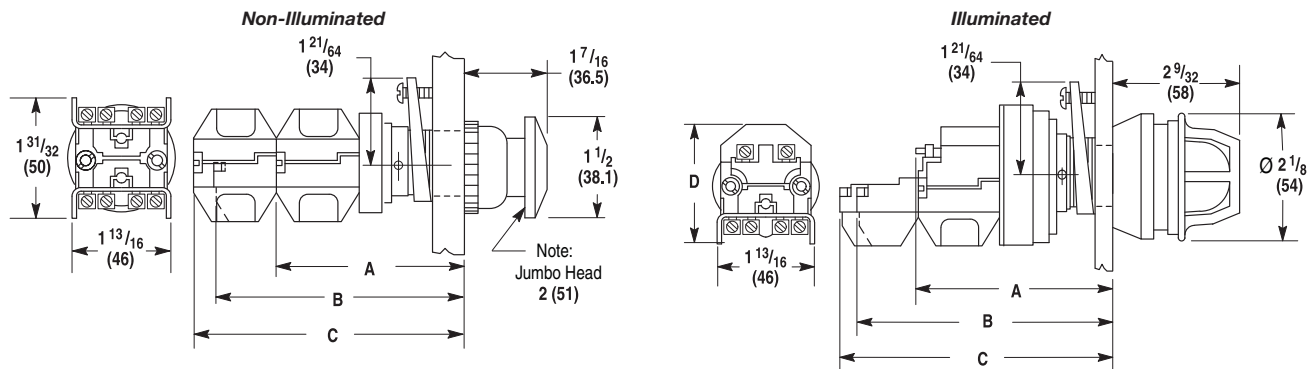
Illuminated Push Buttons or Push-to-Test Pilot Lights



Illuminated Push Buttons, Push-to-Test Pilot Lights

Description	Style	A *	B	C	Ship. Wt. [oz (kg)]
Transformer Type	Standard Barrel	3-5/32 (80.2)	3-29/32 (99)	4-1/8 (105)	14 (0.40)
	Long Barrel	5-1/16 (128.6)	5-13/16 (147.6)	6-1/16 (154)	16-3/16 (0.45)
Full Voltage Dual Input or Neon Type	Standard Barrel	3-1/32 (77)	3-29/32 (99)	4-1/8 (105)	11-5/8 (0.33)
	Long Barrel	4-15/16 (125.4)	5-13/16 (147.6)	6-1/16 (154)	13-7/16 (0.38)

Push-Pull Units



Push-Pull Units

Description	Style	A *	B	C	D	Ship. Wt. [oz (kg)]
Illuminated Transformer Type	Standard Barrel	3-9/16 (90.5)	4-9/16 (115.9)	4-5/8 (117.5)	2-1/8 (54)	15-1/2 (0.44)
	Long Barrel	4-21/32 (118.3)	5-13/32 (137)	5-21/32 (143.7)	2-1/8 (54)	17-7/16 (0.49)
Illuminated Full Voltage Type	Standard Barrel	3-7/16 (87.3)	4-9/16 (115.9)	4-5/8 (117.5)	1-31/32 (50)	12-13/16 (0.33)
	Long Barrel	4-17/32 (115.1)	5-13/32 (137)	5-21/32 (143.7)	1-31/32 (50)	14-3/4 (0.41)
Non-Illuminated Push-Pull Units	Standard Barrel	3-1/2 (88.9)	4-3/8 (111.1)	4-5/8 (117.5)	—	11-1/8 (0.32)
	Long Barrel	4-17/32 (115.1)	5-13/32 (137)	5-21/32 (143.7)	—	12-5/16 (0.34)

* When using sealed switch contact block add 7/8 in. (22.2 mm) to the listed dimension.