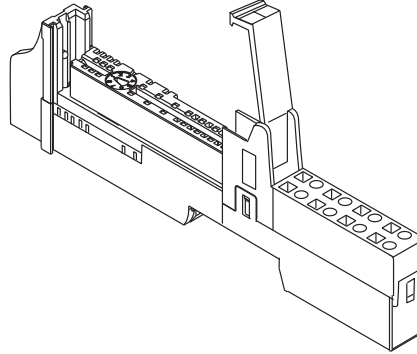


One-piece Terminal Bases

The POINT I/O one-piece terminal base is a mounting base with an integrated terminal block.

POINT I/O One-piece Terminal Base



1734 One-piece Terminal Bases

Cat. No.	Description	Terminal Base Screw Torque
1734-TOP	8-terminal screw-clamp terminal base	0.6 Nm (7 lb-in)
1734-TOPS	8-terminal spring-clamp terminal base	
1734-TOP3	12-terminal screw-clamp terminal base	
1734-TOP3S	12-terminal spring-clamp terminal base	

	Cat. No.	Description
Bases	1734-TB, 1734-TBS	Wiring Base Assembly with 8 Point Cage-Clamp Removable Terminal Block Installation Instructions, publication 1734-IN511
	1734-TBS, 1734-TB3S, 1734-RTBS, 1734-RTB3S	Wiring Base Assembly with 12 Point Cage-Clamp Removable Terminal Block Installation Instructions, publication 1734-IN013
	1734-TOP, 1734-TOPS, 1734-TOP3, 1734-TOP3S	POINT I/O One-piece Terminal Bases Installation Instructions, publication 1734-IN028
	1734-TBCJC	Cold Junction Compensation Wiring Base Assembly Installation Instructions, publication 1734-IN583
Power Units	1734-FPD	Field Potential Distributor Module Installation Instructions, publication 1734-IN059
	1734-EP24DC	24V DC Expansion Power Supply Installation Instructions, publication 1734-IN058
	1734-EPAC	120/240V AC Expansion Power Supply Installation Instructions, publication 1734-IN017
Safety	1734-IB8S, 1734-OB8S	POINT Guard I/O Safety Modules Installation and User Manual, publication 1734-UM013