

## SPECIFICATIONS

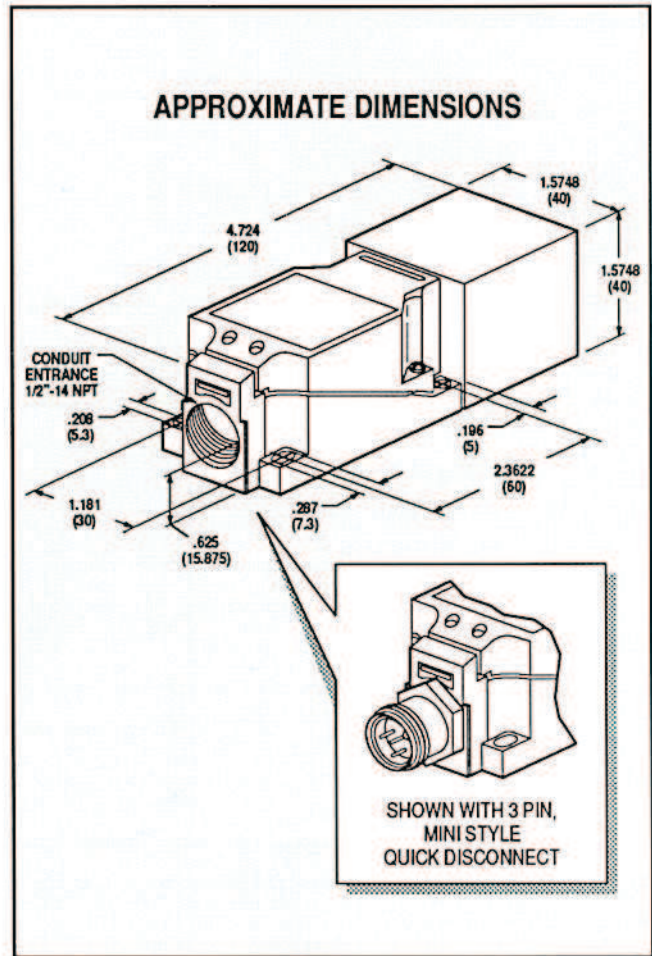
Sensing Distance	15 to 40mm (.59 to 1.57")
Ambient Temperature	-25°C to + 70°C (-13°F to + 160°F)
Hysteresis	≤20%
Repeat Accuracy	≤5%

### DC

Switching Frequency	150Hz (shielded) 75Hz (not shielded)
Supply Voltage	10-30VDC
Max. Supply Voltage Ripple	≤10%
Load Current	400mA
Max. Supply Current (excluding load)	34mA
Max. Voltage Drop (load on):	≤2.4V
Max. Leakage Current (load off)	10µA
Power Up Delay	<50ms
Reverse Polarity Protection	
Short Circuit Protection (Automatic Reset)	
Overload Protection (Automatic Reset)	

### AC

Switching Frequency	25Hz
Supply Voltage	20-259VAC 50/60Hz
Residual Voltage (load on)	≤5V
Load Current	500mA
Min. Load Current	2mA
Max. Inrush Current	8A for 20ms at 1Hz
Typical Leakage Current (load off)	1.5mA
Power Up Delay	<300ms
Transient Noise Protection	



Nominal Sensing Distance mm (inches)	Shielded	Supply Voltage	Programmable Output	Termination	Catalog Number
15	Yes	20-250VAC	N.O. or N.C.	Terminals	871L-XCB 15S40
		20-250VAC	N.O. or N.C.	Mini Q.D.	871L-XCB 15Q40
		10-30VDC	N.O. or N.C. (NPN)	Terminals	871L-XNB 15S40
		10-30VDC	N.O. or N.C. (NPN)	Mini Q.D.	871L-XNB 15Q40
		10-30VDC	N.O. or N.C. (PNP)	Terminals	871L-XPB 15S40
		10-30VDC	N.O. or N.C. (PNP)	Mini Q.D.	871L-XPB 15Q40
40	No	20-250VAC	N.O. or N.C.	Terminals	871L-XCB 40S40
		20-250VAC	N.O. or N.C.	Mini Q.D.	871L-XCB 40Q40
		10-30VDC	N.O. or N.C. (NPN)	Terminals	871L-XNB 40S40
		10-30VDC	N.O. or N.C. (NPN)	Mini Q.D.	871L-XNB 40Q40
		10-30VDC	N.O. or N.C. (PNP)	Terminals	871L-XPB 40S40
		10-30VDC	N.O. or N.C. (PNP)	Mini Q.D.	871L-XPB 40Q40



**ALLEN-BRADLEY**  
A ROCKWELL INTERNATIONAL COMPANY

Presence Sensing Products Division  
265 Winter St., Waltham, Mass

Publication 871L-8.0 — October 1990

